



Name	SB146 IP65 on-off 13*19mm
Rated Range	12(10)A 250VAC
Contact resistance	$\leq 50\text{m}\Omega$
Insulation resistance	$\geq 1000\text{M}\Omega$
Compressive strength	1500VAC 1Min
Electrical life	10000time
Mechanical life	10000time
Press power	7N~10N
Operating temperature	-25°C ~ +105°C
Degree of protection	IP65
Hypothermia	-25°C

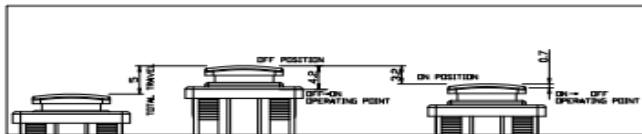
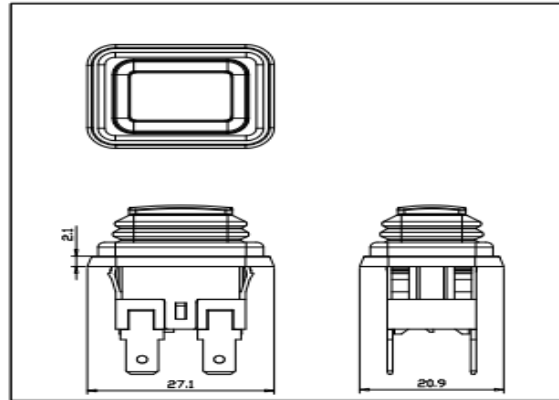
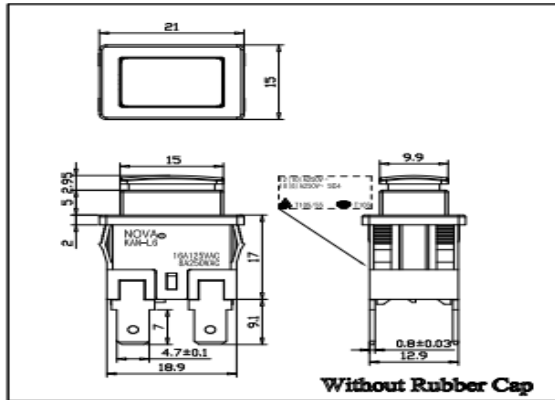
Weldability

$\leq 260^{\circ}\text{C}$, $\leq 3\text{S}$

Resistance to soldering heat pick $\leq 260^{\circ}\text{C}$, $\leq 3\text{S}$

Material

PA66



RUICHI